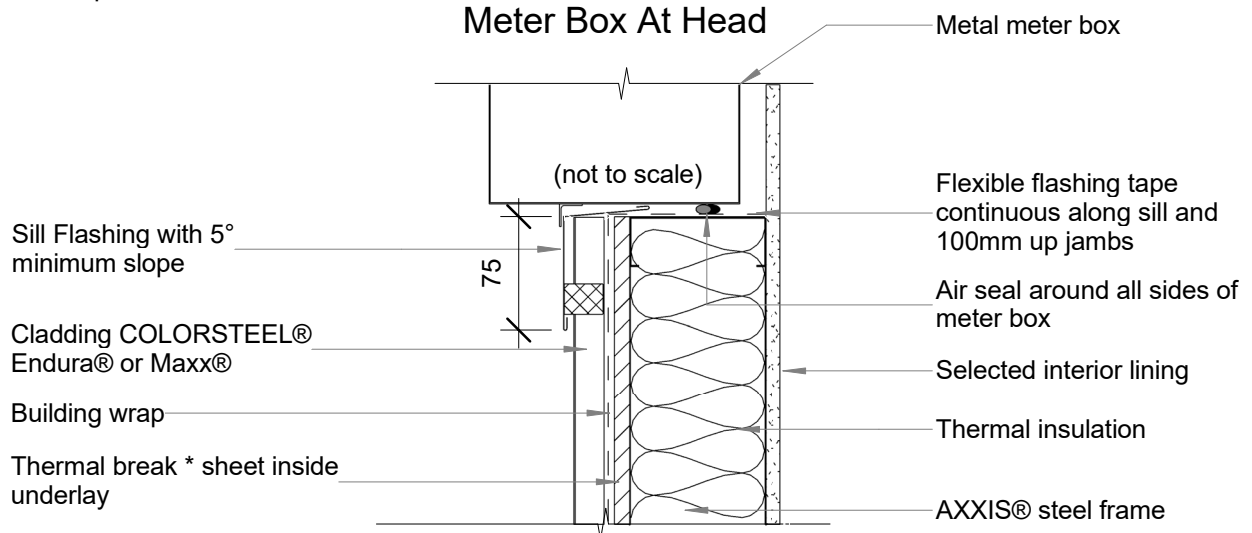
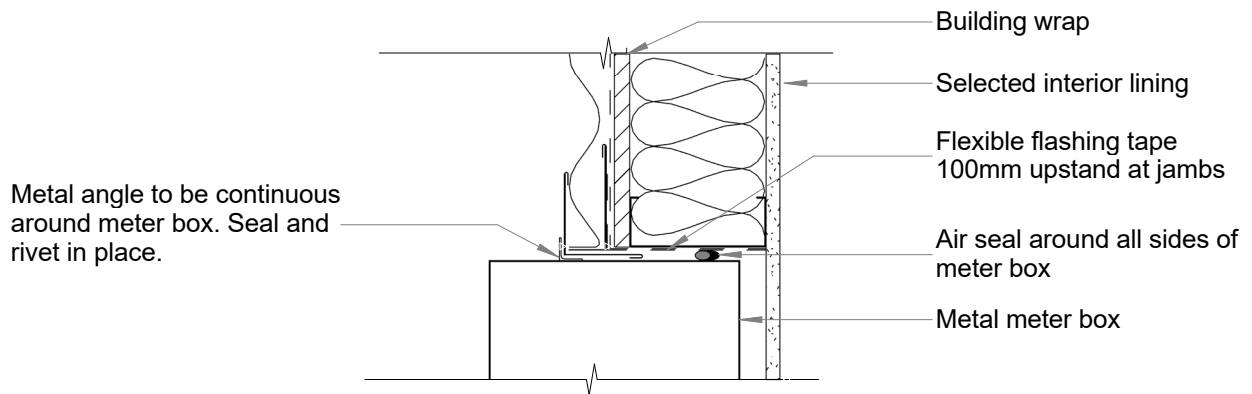


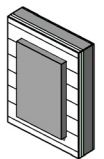
Meter Box At Head



Meter Box At Sill



Meter Box At Jamb



**\* Thermal Breaks**

- Thermal breaks are to meet the requirements of NASH standard Part 2.
- Thermal break are to meet the requirements of E3/AS1 and minimum of R0.25.
- Thermal breaks (if strips used) are required on all framing members (plates, studs, braces, webs)