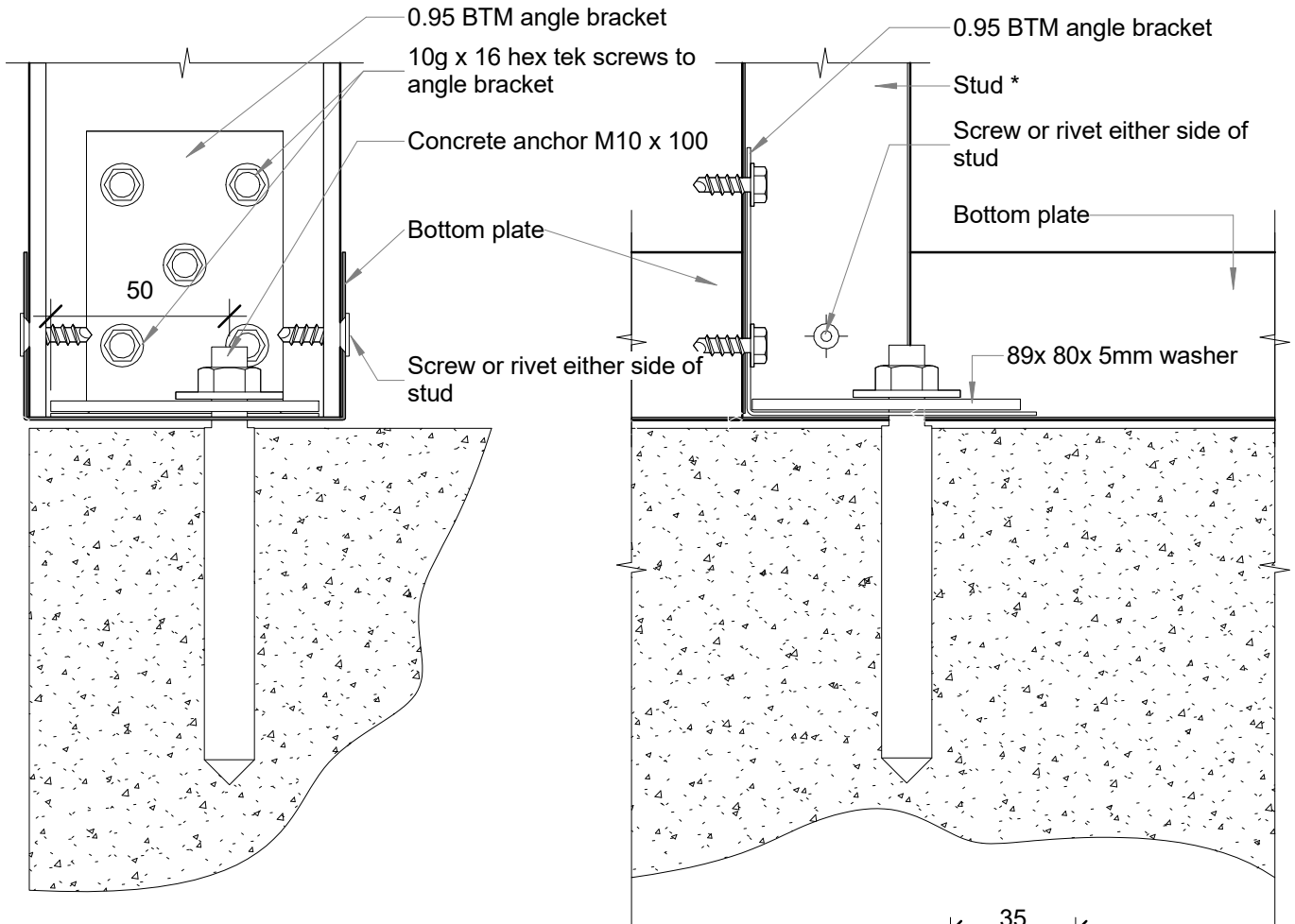
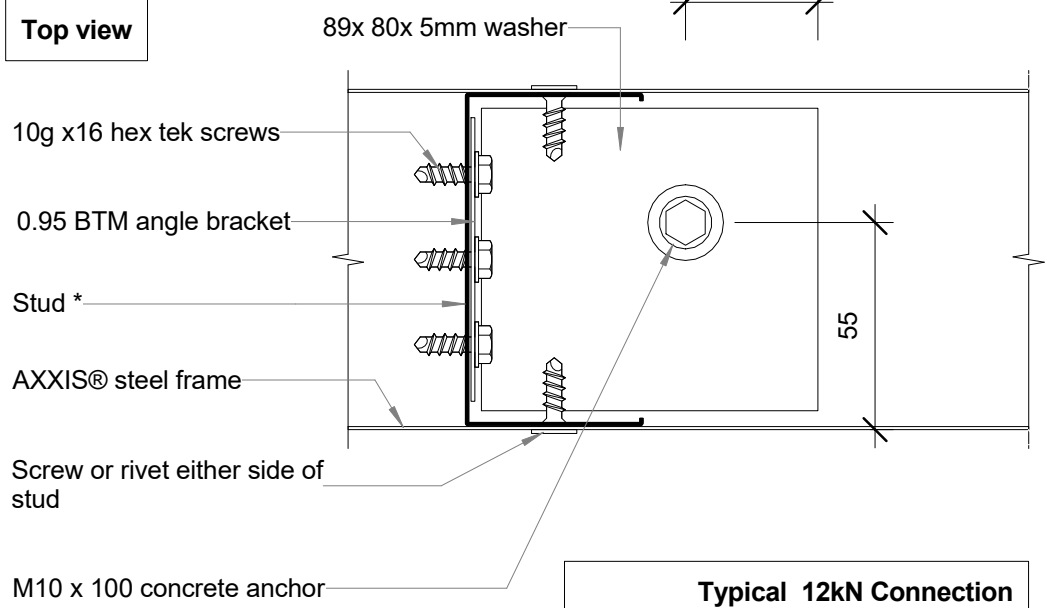


Cross section

Longitudinal section



Top view



**Typical 12kN Connection
(hold down bolt either side of stud)**

* Minimum 0.75mm framing material